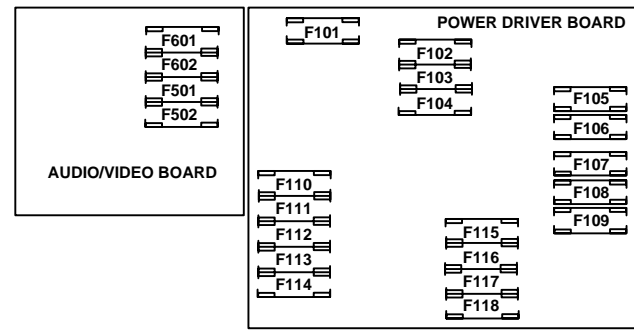


**FUSE LIST**

CAUTION: FOR CONTINUED PROTECTION AGAINST RISK OF FIRE, REPLACE ONLY WITH THE SAME TYPE OF FUSE HAVING THE SAME ELECTRICAL RATINGS.  
ATTENTION: UTILISER UN FUSIBLE DE RECHARGE DE MEME TYPE.

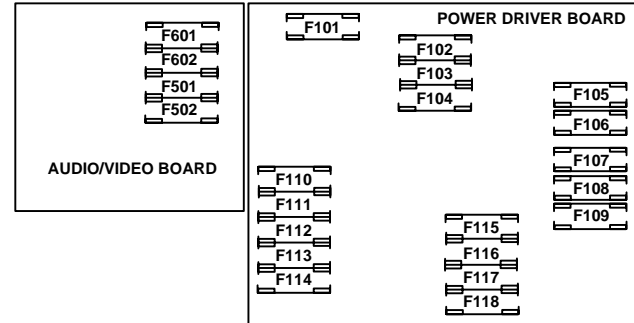


AUDIO/VIDEO BOARD	
F501	-25V T2.5A, 250V
F502	+25V T2.5A, 250V
F601	+62V T0.315A, 250V
F602	-113V & -125V T0.315A, 250V
LINE FILTER	
Foreign	T4.0A, 250V
Domestic	T5.0A, 250V

POWER DRIVER BOARD		16-10137.5	
F101	Regulated 12V	T0.63A, 250V	F110 G.I. #5 White-Violet T4.0A, 250V
F102	Solenoids #25 to #28	T4.0A, 250V	F111 G.I. #4 White-Green T4.0A, 250V
F103	Solenoids #1 to #8	T4.0A, 250V	F112 G.I. #3 White-Yellow T4.0A, 250V
F104	Solenoids #9 to #16	T4.0A, 250V	F113 G.I. #2 White-Orange T4.0A, 250V
F105	+5V Logic	T4.0A, 250V	F114 G.I. #1 White-Brown T4.0A, 250V
F106	+18V Lamp Matrix	T5.0A, 250V	F115 +50V Flippers T4.0A, 250V
F107	Flasher Secondary	T4.0A, 250V	F116 +50V Flippers T4.0A, 250V
F108	Solenoid Secondary	T6.3A, 250V	F117 +50V Flippers T4.0A, 250V
F109	Unregulated 12V	T4.0A, 250V	F118 +50V Flippers T4.0A, 250V

**FUSE LIST**

CAUTION: FOR CONTINUED PROTECTION AGAINST RISK OF FIRE, REPLACE ONLY WITH THE SAME TYPE OF FUSE HAVING THE SAME ELECTRICAL RATINGS.  
ATTENTION: UTILISER UN FUSIBLE DE RECHARGE DE MEME TYPE.

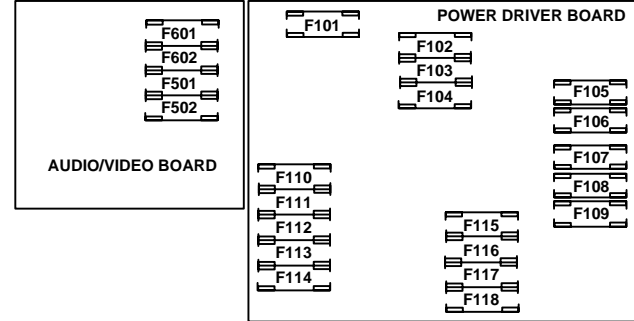


AUDIO/VIDEO BOARD	
F501	-25V T2.5A, 250V
F502	+25V T2.5A, 250V
F601	+62V T0.315A, 250V
F602	-113V & -125V T0.315A, 250V
LINE FILTER	
Foreign	T4.0A, 250V
Domestic	T5.0A, 250V

POWER DRIVER BOARD		16-10137.5	
F101	Regulated 12V	T0.63A, 250V	F110 G.I. #5 White-Violet T4.0A, 250V
F102	Solenoids #25 to #28	T4.0A, 250V	F111 G.I. #4 White-Green T4.0A, 250V
F103	Solenoids #1 to #8	T4.0A, 250V	F112 G.I. #3 White-Yellow T4.0A, 250V
F104	Solenoids #9 to #16	T4.0A, 250V	F113 G.I. #2 White-Orange T4.0A, 250V
F105	+5V Logic	T4.0A, 250V	F114 G.I. #1 White-Brown T4.0A, 250V
F106	+18V Lamp Matrix	T5.0A, 250V	F115 +50V Flippers T4.0A, 250V
F107	Flasher Secondary	T4.0A, 250V	F116 +50V Flippers T4.0A, 250V
F108	Solenoid Secondary	T6.3A, 250V	F117 +50V Flippers T4.0A, 250V
F109	Unregulated 12V	T4.0A, 250V	F118 +50V Flippers T4.0A, 250V

**FUSE LIST**

CAUTION: FOR CONTINUED PROTECTION AGAINST RISK OF FIRE, REPLACE ONLY WITH THE SAME TYPE OF FUSE HAVING THE SAME ELECTRICAL RATINGS.  
ATTENTION: UTILISER UN FUSIBLE DE RECHARGE DE MEME TYPE.

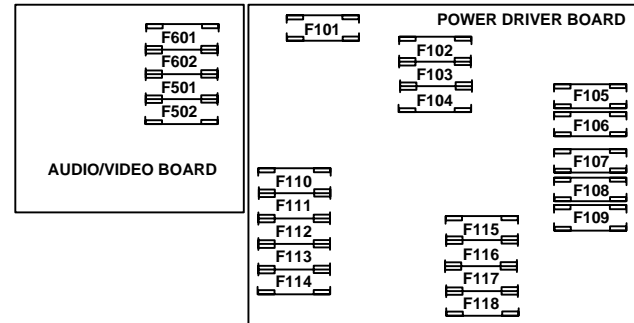


AUDIO/VIDEO BOARD	
F501	-25V T2.5A, 250V
F502	+25V T2.5A, 250V
F601	+62V T0.315A, 250V
F602	-113V & -125V T0.315A, 250V
LINE FILTER	
Foreign	T4.0A, 250V
Domestic	T5.0A, 250V

POWER DRIVER BOARD		16-10137.5	
F101	Regulated 12V	T0.63A, 250V	F110 G.I. #5 White-Violet T4.0A, 250V
F102	Solenoids #25 to #28	T4.0A, 250V	F111 G.I. #4 White-Green T4.0A, 250V
F103	Solenoids #1 to #8	T4.0A, 250V	F112 G.I. #3 White-Yellow T4.0A, 250V
F104	Solenoids #9 to #16	T4.0A, 250V	F113 G.I. #2 White-Orange T4.0A, 250V
F105	+5V Logic	T4.0A, 250V	F114 G.I. #1 White-Brown T4.0A, 250V
F106	+18V Lamp Matrix	T5.0A, 250V	F115 +50V Flippers T4.0A, 250V
F107	Flasher Secondary	T4.0A, 250V	F116 +50V Flippers T4.0A, 250V
F108	Solenoid Secondary	T6.3A, 250V	F117 +50V Flippers T4.0A, 250V
F109	Unregulated 12V	T4.0A, 250V	F118 +50V Flippers T4.0A, 250V

**FUSE LIST**

CAUTION: FOR CONTINUED PROTECTION AGAINST RISK OF FIRE, REPLACE ONLY WITH THE SAME TYPE OF FUSE HAVING THE SAME ELECTRICAL RATINGS.  
ATTENTION: UTILISER UN FUSIBLE DE RECHARGE DE MEME TYPE.

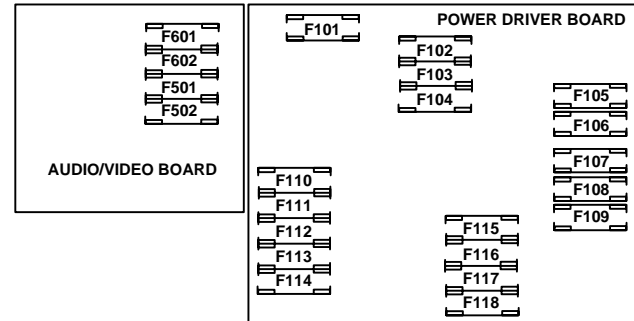


AUDIO/VIDEO BOARD	
F501	-25V T2.5A, 250V
F502	+25V T2.5A, 250V
F601	+62V T0.315A, 250V
F602	-113V & -125V T0.315A, 250V
LINE FILTER	
Foreign	T4.0A, 250V
Domestic	T5.0A, 250V

POWER DRIVER BOARD		16-10137.5	
F101	Regulated 12V	T0.63A, 250V	F110 G.I. #5 White-Violet T4.0A, 250V
F102	Solenoids #25 to #28	T4.0A, 250V	F111 G.I. #4 White-Green T4.0A, 250V
F103	Solenoids #1 to #8	T4.0A, 250V	F112 G.I. #3 White-Yellow T4.0A, 250V
F104	Solenoids #9 to #16	T4.0A, 250V	F113 G.I. #2 White-Orange T4.0A, 250V
F105	+5V Logic	T4.0A, 250V	F114 G.I. #1 White-Brown T4.0A, 250V
F106	+18V Lamp Matrix	T5.0A, 250V	F115 +50V Flippers T4.0A, 250V
F107	Flasher Secondary	T4.0A, 250V	F116 +50V Flippers T4.0A, 250V
F108	Solenoid Secondary	T6.3A, 250V	F117 +50V Flippers T4.0A, 250V
F109	Unregulated 12V	T4.0A, 250V	F118 +50V Flippers T4.0A, 250V

**FUSE LIST**

CAUTION: FOR CONTINUED PROTECTION AGAINST RISK OF FIRE, REPLACE ONLY WITH THE SAME TYPE OF FUSE HAVING THE SAME ELECTRICAL RATINGS.  
ATTENTION: UTILISER UN FUSIBLE DE RECHARGE DE MEME TYPE.



AUDIO/VIDEO BOARD	
F501	-25V T2.5A, 250V
F502	+25V T2.5A, 250V
F601	+62V T0.315A, 250V
F602	-113V & -125V T0.315A, 250V
LINE FILTER	
Foreign	T4.0A, 250V
Domestic	T5.0A, 250V

POWER DRIVER BOARD		16-10137.5	
F101	Regulated 12V	T0.63A, 250V	F110 G.I. #5 White-Violet T4.0A, 250V
F102	Solenoids #25 to #28	T4.0A, 250V	F111 G.I. #4 White-Green T4.0A, 250V
F103	Solenoids #1 to #8	T4.0A, 250V	F112 G.I. #3 White-Yellow T4.0A, 250V
F104	Solenoids #9 to #16	T4.0A, 250V	F113 G.I. #2 White-Orange T4.0A, 250V
F105	+5V Logic	T4.0A, 250V	F114 G.I. #1 White-Brown T4.0A, 250V
F106	+18V Lamp Matrix	T5.0A, 250V	F115 +50V Flippers T4.0A, 250V
F107	Flasher Secondary	T4.0A, 250V	F116 +50V Flippers T4.0A, 250V
F108	Solenoid Secondary	T6.3A, 250V	F117 +50V Flippers T4.0A, 250V
F109	Unregulated 12V	T4.0A, 250V	F118 +50V Flippers T4.0A, 250V